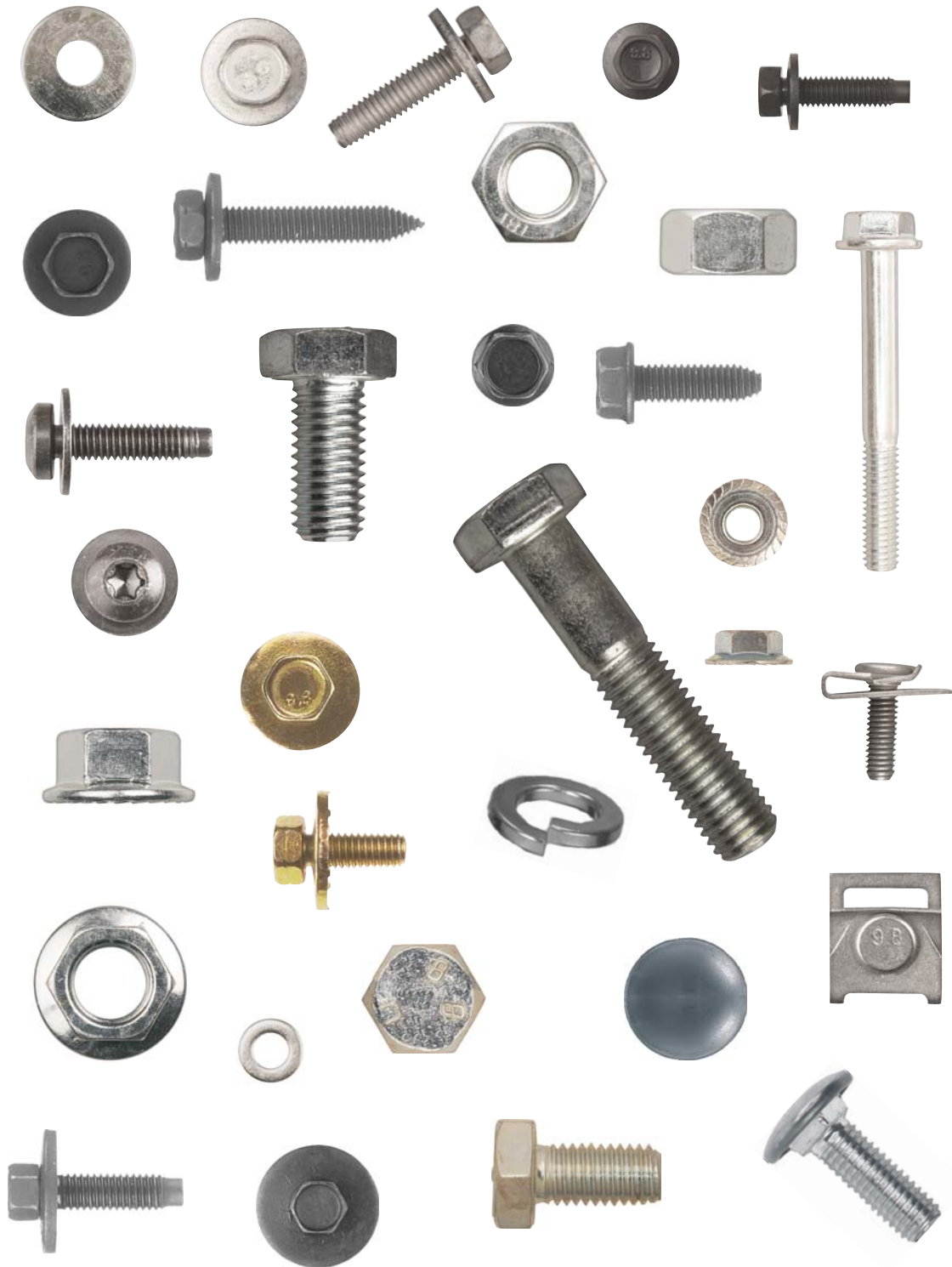


# Metric Fasteners

## Sec. 3



**Dec. 2017**

# Table of Contents


## Alphabetized Listing

<b>B</b>	
Bolts Body, Class 9.8, Indented, Hex Flange Head	4
Bolts Body, Class 9.8, Indented, Hex Flange Head, CA Point	4
Bolts Body, Class 9.8, Indented, Hex Head, Loose Washer	2
Bolts Body, Class 9.8, Indented, Hex Head, Loose Washer	2-3
Bolts Body, Class 9.8, Indented, Hex Head, Loose Washer	3-4
Bolts Body, Class 9.8, Torx®, Pan Head, Dog Point	4
Bolts Bumper Class 9.8 Capped Stainless Steel	4
Bolts Splash Shield, Indented, Hex Head, Loose Washer	5
Bolts, Class 10.9, Hex Flange Head, JIS B1189, Bright Zinc	8
Bolts, Class 10.9, Hex Head, Yellow Zinc Finish	6-7
<b>C</b>	
Cap Screws, Class 8.8, Hex Head, Bright Zinc	9-10
Clip, Class 9.8, Stud Assembly	4
<b>F</b>	
Fasteners Metric	1-12
<b>N</b>	
Nuts, Hex, Class 10, Spin Lock Type, Serrated, Bright Zinc	11
Nuts, Hex, Class 10, Yellow Zinc Finish	7
Nuts, Hex, Class 8, Din # 934, Bright Zinc Finish	12
Nuts, Hex, Class 8, Spin Lock Type, Serrated, Bright Zinc Finish	11
Nuts, Hex, Din # 985, Lock, Nylon, Bright Zinc Finish	12
<b>W</b>	
Washers, Fender, Zinc Finish	11
Washers, Flat, Din # 125, Bright Zinc Finish	10
Washers, Flat, Din # 125-A, Yellow Zinc Finish	7
Washers, Flat, Stainless Steel	10
Washers, Flat, Steel	10
Washers, Lock, Din # 127, Bright Zinc Finish	11
Washers, Lock, Din # 127-B, Yellow Zinc Finish	7


# Fasteners Metric

## Bolts Body, Class 9.8, Indented, Hex Head, Loose Washer


**10755PK** 6-1.00 x 16mm 50 Pcs.  
 10mm Indented Hex Head  
 17mm Outside Diameter Loose Washer  
 Black Finish  
 Metric Body Bolts  
 G.M. # 11508930




**10097PK** 6-1.00 x 16mm 50 Pcs.  
 10mm Indented Hex Head  
 18.50mm Outside Diameter Loose Washer  
 Yellow Zinc Finish  
 Metric Body Bolts  
 G.M. # 11503812



**9889PK** 6-1.00 x 20mm 50 Pcs.  
 10mm Indented Hex Head  
 17mm Outside Diameter Loose Washer  
 Black Finish  
 Metric Body Bolts  
 G.M. # 11514623, 11509816, 11514623




**11017PK** 6-1.00 x 25mm 25 Pcs.  
 10mm Indented Hex Head  
 17mm Outside Diameter Loose Washer  
 Tin Zinc Finish  
 Taptite Hex Head Sems Bolts  
 G.M. # 11609989




## Bolts Body, Class 9.8, Indented, Hex Head, Loose Washer, CA Point


**5684PK** 6-1.00 x 20mm 50 Pcs.  
 10mm Indented Hex Head  
 17mm Outside Diameter Loose Washer  
 Black Finish  
 Metric Type CA Body Bolts  
 G.M. # 11502941, 11506174,  
 11503823, 11503941




**5686PK** 6-1.00 x 25mm 50 Pcs.  
 10mm Indented Hex Head  
 17mm Outside Diameter Loose Washer  
 Black Finish  
 Metric Type CA Body Bolts  
 G.M. # 11503834, 20351035




**5690PK** 6-1.00 x 25mm 50 Pcs.  
 10mm Indented Hex Head  
 24mm Outside Diameter Loose Washer  
 Black Phosphate Finish  
 Metric Type CA Body Bolts  
 G.M. # 11503982



**11170PK** 6-1.00 x 25mm 15 Pcs.  
 10mm Indented Hex Head  
 24mm Outside Diameter Loose Washer  
 Zinc Organic Finish  
 Metric Type CA Body Bolts  
 G.M. # 11609681













**11134PK** 6-1.00 x 25mm 25 Pcs.  
 10mm Indented Hex Head  
 24mm Outside Diameter Loose Washer  
 Black Finish  
 Metric Type CA Body Bolts  
 G.M. # 11504493









# Fasteners Metric

## Bolts Body, Class 9.8, Indented, Hex Head, Loose Washer, CA Point

<b>11135PK</b>	6-1.00 x 30mm 10mm Indented Hex Head 24mm Outside Diameter Loose Washer Black Finish Metric Type CA Body Bolts G.M. # 11503825	<b>50 Pcs.</b>		
<b>5692PK</b>	6-1.00 x 35mm 10mm Indented Hex Head 17mm Outside Diameter Loose Washer Black Finish Metric Type CA Body Bolts G.M. # 11505044	<b>50 Pcs.</b>		
<b>9147PK</b>	8-1.25 x 25mm 13mm Indented Hex Head 24mm Outside Diameter Loose Washer Black Finish Metric Type CA Body Bolts G.M. # 11503619, 11501102	<b>25 Pcs.</b>		
<b>5688PK</b>	8-1.25 x 30mm 13mm Indented Hex Head 24mm Outside Diameter Loose Washer Black Finish Metric Type CA Body Bolts G.M. # 11501188, 11500754	<b>25 Pcs.</b>		
<b>9064PK</b>	10-1.50 x 40mm 15mm Indented Hex Head 28mm Outside Diameter Loose Washer Black Finish Metric Type CA Body Bolts G.M. # 11501193	<b>25 Pcs.</b>		

## Bolts Body, Class 9.8, Indented, Hex Head, Loose Washer, Dog Point

<b>10970PK</b>	5-.80 x 20mm 8mm Indented Hex Head 12mm Outside Diameter Loose Washer Black Finish Metric Dog Point Body Bolts Chrysler # 6100539	<b>50 Pcs.</b>		
<b>5698PK</b>	6-1.00 x 22mm 8mm Indented Hex Head 19mm Outside Diameter Loose Washer Black Finish Metric Dog Point Body Bolts G.M. # 11503982 Ford # N606676-S2, N606676-S, N606676-S100, Chrysler # 6100566	<b>25 Pcs.</b>		
<b>5699PK</b>	6-1.00 x 28mm 8mm Indented Hex Head 19mm Outside Diameter Loose Washer Zinc and Yellow Finish Metric Dog Point Body Bolts Ford # N606677-S36	<b>25 Pcs.</b>		

# Fasteners Metric

## Bolts Body, Class 9.8, Indented, Hex Head, Loose Washer, Dog Point

**5705PK** 6-1.00 x 28mm  
8mm Indented Hex Head  
19mm Outside Diameter Loose Washer  
Black Finish  
Metric Dog Point Body Bolts  
Ford # N606677-S

25 Pcs.



## Bolts Body, Class 9.8, Indented, Hex Flange Head

**13382PK** 6-1.0 x 11mm  
10mm Indented Hex Head  
15.5mm Flange Size  
Black Finish  
Luggage Door &  
Radiator Grille Screws  
Toyota # 90105-06037

25 Pcs.



## Bolts Body, Class 9.8, Indented, Hex Flange Head, CA Point

**5682PK** 6-1.00 x 20mm  
10mm Indented Hex Head  
13mm Flange Diameter  
Black Organic Finish  
Metric Type CA Flange Bolts  
G.M. # 11503800

50 Pcs.



**1013PK** 8-1.25 x 25mm  
13mm Indented Hex Head  
16mm Flange Diameter  
Black Finish  
Metric Type CA Body Bolts  
G.M. # 11500970

25 Pcs.



**5695PK** 8-1.25 x 30mm  
13mm Indented Hex Head  
17mm Flange Diameter  
Zinc Organic Finish  
Metric Type CA Body Bolts  
G.M. # 11500971, 549790

25 Pcs.



**5697PK** 8-1.25 x 30mm  
13mm Indented Hex Head  
17mm Flange Diameter  
Black Organic Finish  
Metric Type CA Body Bolts  
G.M. # 11500971, 11504492, 11515619

25 Pcs.



## Bolts Body, Class 9.8, Torx®, Pan Head, Dog Point

**11154PK** 6-1.00 x 25mm Metric Torx®  
17mm Outside Diameter Loose Washer  
Black Finish  
Dog Point Body Bolts  
G.M. # 11588544

15 Pcs.



## Bolts Bumper Class 9.8 Capped Stainless Steel

**9275PK** 8-1.25 x 25mm  
19mm Head Diameter  
Pan Style Head  
Stainless Steel  
Capped Bumper Bolts  
G.M. # 14003784  
Ford # N800744-S

25 Pcs.



## Clip, Class 9.8, Stud Assembly







**12018PK** 6-1.00mm Thread  
19.50mm Stud Length  
Mechanical Tin-Zinc Finish  
Stud Clip Assembly  
Chrysler # 6502780

5 Pcs.



# Fasteners Metric

## Bolts Splash Shield, Indented, Hex Head, Loose Washer

<b>13258PK</b>	6-1.00 x 20mm 10mm Indented Hex Head 18mm O.D. Loose Washer Black Finish Dog Point Engine Splash Shield Bolts Nissan # 08146-6162H	<b>20 Pcs.</b>		
<b>13257PK</b>	8-1.25 x 20mm 12mm Indented Hex Head 22mm O.D. Loose Washer Zinc Finish Engine Splash Shield Bolts Toyota # 90080-11547	<b>20 Pcs.</b>		
<b>13259PK</b>	8-1.25 x 30mm 12mm Indented Hex Head 24mm O.D. Loose Washer Black Finish Type F Point Engine Splash Shield Bolts Toyota # 90119-08763	<b>10 Pcs.</b>		

# Fasteners Metric

## Bolts, Class 10.9, Hex Head, Yellow Zinc Finish



DIN # 933

Full Threaded

150,000 P.S.I.  
Maximum Tensile Strength



DIN # 931

Half Threaded

Part #	Size	Hex Size	Din	Qty.	
14424PK	6-1.00 x 10mm	10mm	933	50 Pcs.	NEW
14427PK	6-1.00 x 20mm	10mm	933	25 Pcs.	NEW
14428PK	6-1.00 x 25mm	10mm	933	25 Pcs.	NEW
14429PK	6-1.00 x 30mm	10mm	933	25 Pcs.	NEW
14431PK	6-1.00 x 40mm	10mm	933	25 Pcs.	NEW
14433PK	6-1.00 x 50mm	10mm	931	25 Pcs.	NEW
14435PK	6-1.00 x 60mm	10mm	931	25 Pcs.	NEW
14437PK	6-1.00 x 70mm	10mm	931	25 Pcs.	NEW
14439PK	6-1.00 x 80mm	10mm	931	25 Pcs.	NEW
14494PK	8-1.25 x 16mm	13mm	933	25 Pcs.	NEW
14495PK	8-1.25 x 20mm	13mm	933	25 Pcs.	NEW
14496PK	8-1.25 x 25mm	13mm	933	25 Pcs.	NEW
14497PK	8-1.25 x 30mm	13mm	933	25 Pcs.	NEW
14499PK	8-1.25 x 40mm	13mm	933	25 Pcs.	NEW
14501PK	8-1.25 x 50mm	13mm	931	25 Pcs.	NEW
14503PK	8-1.25 x 60mm	13mm	931	25 Pcs.	NEW
14505PK	8-1.25 x 70mm	13mm	931	25 Pcs.	NEW
14507PK	8-1.25 x 80mm	13mm	931	25 Pcs.	NEW
14529PK	10-1.50 x 20mm	17mm	933	25 Pcs.	NEW
14530PK	10-1.50 x 25mm	17mm	933	25 Pcs.	NEW
14531PK	10-1.50 x 30mm	17mm	933	25 Pcs.	NEW
14533PK	10-1.50 x 40mm	17mm	933	15 Pcs.	NEW
14535PK	10-1.50 x 50mm	17mm	931	15 Pcs.	NEW
14537PK	10-1.50 x 60mm	17mm	931	10 Pcs.	NEW
14539PK	10-1.50 x 70mm	17mm	931	5 Pcs.	NEW
14541PK	10-1.50 x 80mm	17mm	931	5 Pcs.	NEW
14563PK	12-1.75 x 20mm	19mm	933	10 Pcs.	NEW
14564PK	12-1.75 x 25mm	19mm	933	10 Pcs.	NEW
14565PK	12-1.75 x 30mm	19mm	933	10 Pcs.	NEW
14567PK	12-1.75 x 40mm	19mm	933	10 Pcs.	NEW
14569PK	12-1.75 x 50mm	19mm	933	10 Pcs.	NEW
14571PK	12-1.75 x 60mm	19mm	933	10 Pcs.	NEW
14573PK	12-1.75 x 70mm	19mm	931	10 Pcs.	NEW
14575PK	12-1.75 x 80mm	19mm	931	10 Pcs.	NEW
14598PK	14-2.00 x 25mm	21mm	933	10 Pcs.	NEW
14699PK	14-2.00 x 30mm	21mm	933	10 Pcs.	NEW
14601PK	14-2.00 x 40mm	21mm	933	5 Pcs.	NEW
14603PK	14-2.00 x 50mm	21mm	933	5 Pcs.	NEW
14605PK	14-2.00 x 60mm	21mm	933	5 Pcs.	NEW
14607PK	14-2.00 x 70mm	21mm	931	5 Pcs.	NEW
14609PK	14-2.00 x 80mm	21mm	931	5 Pcs.	NEW

# Fasteners Metric

## Bolts, Class 10.9, Hex Head, Yellow Zinc Finish



DIN # 933

Full Threaded

150,000 P.S.I.  
Maximum Tensile Strength



DIN # 931

Half Threaded

Part #	Size	Hex Size	Din	Qty.	
14632PK	16-2.00 x 20mm	24mm	933	5 Pcs.	<b>NEW</b>
14633PK	16-2.00 x 30mm	24mm	933	5 Pcs.	<b>NEW</b>
14635PK	16-2.00 x 40mm	24mm	933	5 Pcs.	<b>NEW</b>
14637PK	16-2.00 x 50mm	24mm	933	5 Pcs.	<b>NEW</b>
14639PK	16-2.00 x 60mm	24mm	931	5 Pcs.	<b>NEW</b>
14641PK	16-2.00 x 70mm	24mm	931	5 Pcs.	<b>NEW</b>
14643PK	16-2.00 x 80mm	24mm	931	5 Pcs.	<b>NEW</b>

## Washers, Flat, Din # 125-A, Yellow Zinc Finish



Part #	Size	Inside Diameter	Outside Diameter	Finish	Qty.	
14828PK	6mm	6.30mm	15mm	Yellow Zinc	100 Pcs.	<b>NEW</b>
14830PK	8mm	8.40mm	17mm	Yellow Zinc	100 Pcs.	<b>NEW</b>
14831PK	10mm	10.50mm	21mm	Yellow Zinc	50 Pcs.	<b>NEW</b>
14832PK	12mm	13mm	24mm	Yellow Zinc	50 Pcs.	<b>NEW</b>
14833PK	14mm	15mm	28mm	Yellow Zinc	25 Pcs.	<b>NEW</b>
14834PK	16mm	17mm	30mm	Yellow Zinc	25 Pcs.	<b>NEW</b>

## Washers, Lock, Din # 127-B, Yellow Zinc Finish



Part #	Size	Inside Diameter	Outside Diameter	Finish	Qty.	
14815PK	6mm	6.10mm	11.50mm	Yellow Zinc	100 Pcs.	<b>NEW</b>
14817PK	8mm	8.20mm	14.40mm	Yellow Zinc	100 Pcs.	<b>NEW</b>
14818PK	10mm	10.20mm	17.50mm	Yellow Zinc	50 Pcs.	<b>NEW</b>
14819PK	12mm	12.20mm	20.30mm	Yellow Zinc	50 Pcs.	<b>NEW</b>
14820PK	14mm	14.20mm	23.40mm	Yellow Zinc	25 Pcs.	<b>NEW</b>
14821PK	16mm	16.20mm	27.40mm	Yellow Zinc	25 Pcs.	<b>NEW</b>

## Nuts, Hex, Class 10, Yellow Zinc Finish



Part #	Size	Hex Size	Finish	Qty.	
14802PK	6-1.00mm	10mm	Yellow Zinc	50 Pcs.	<b>NEW</b>
14804PK	8-1.25mm	13mm	Yellow Zinc	50 Pcs.	<b>NEW</b>
14805PK	10-1.50mm	17mm	Yellow Zinc	25 Pcs.	<b>NEW</b>
14806PK	12-1.75mm	19mm	Yellow Zinc	25 Pcs.	<b>NEW</b>
14807PK	14-2.00mm	21mm	Yellow Zinc	10 Pcs.	<b>NEW</b>
14808PK	16-2.00mm	24mm	Yellow Zinc	10 Pcs.	<b>NEW</b>



# Fasteners Metric

Bolts, Class 10.9, Hex Flange Head, JIS B1189, Bright Zinc Finish



150,000 P.S.I.  
Maximum Tensile Strength



Part #	Size	Hex Size	Flange Size	Finish	Qty.	
12636PK	5-.80 x 16mm	8mm	12.00mm	Bright Zinc	50 Pcs.	NEW
12637PK	5-.80 x 20mm	8mm	12.00mm	Bright Zinc	50 Pcs.	NEW
12638PK	5-.80 x 25mm	8mm	12.00mm	Bright Zinc	50 Pcs.	NEW
3203PK	6-1.00 x 12mm	10mm	14.00mm	Bright Zinc	50 Pcs.	
3204PK	6-1.00 x 16mm	10mm	14.00mm	Bright Zinc	50 Pcs.	
3205PK	6-1.00 x 20mm	10mm	14.00mm	Bright Zinc	50 Pcs.	
3206PK	6-1.00 x 25mm	10mm	14.00mm	Bright Zinc	25 Pcs.	
3207PK	6-1.00 x 30mm	10mm	14.00mm	Bright Zinc	25 Pcs.	
3208PK	6-1.00 x 35mm	10mm	14.00mm	Bright Zinc	25 Pcs.	
3209PK	6-1.00 x 40mm	10mm	14.00mm	Bright Zinc	25 Pcs.	
9824PK	6-1.00 x 45mm	10mm	14.00mm	Bright Zinc	15 Pcs.	
12523PK	6-1.00 x 50mm	10mm	14.00mm	Bright Zinc	10 Pcs.	NEW
12524PK	6-1.00 x 55mm	10mm	14.00mm	Bright Zinc	10 Pcs.	NEW
12525PK	6-1.00 x 60mm	10mm	14.00mm	Bright Zinc	10 Pcs.	NEW
12639PK	6-1.00 x 65mm	10mm	14.00mm	Bright Zinc	10 Pcs.	NEW
12640PK	6-1.00 x 70mm	10mm	14.00mm	Bright Zinc	10 Pcs.	NEW
3210PK	8-1.25 x 12mm	12mm	17.50mm	Bright Zinc	25 Pcs.	
3211PK	8-1.25 x 16mm	12mm	17.50mm	Bright Zinc	15 Pcs.	
3212PK	8-1.25 x 20mm	12mm	17.50mm	Bright Zinc	15 Pcs.	
3213PK	8-1.25 x 25mm	12mm	17.50mm	Bright Zinc	15 Pcs.	
3214PK	8-1.25 x 30mm	12mm	17.50mm	Bright Zinc	15 Pcs.	
3215PK	8-1.25 x 35mm	12mm	17.50mm	Bright Zinc	15 Pcs.	
3216PK	8-1.25 x 40mm	12mm	17.50mm	Bright Zinc	15 Pcs.	
12410PK	8-1.25 x 45mm	12mm	17.50mm	Bright Zinc	15 Pcs.	NEW
12526PK	8-1.25 x 50mm	12mm	17.50mm	Bright Zinc	10 Pcs.	NEW
12527PK	8-1.25 x 55mm	12mm	17.50mm	Bright Zinc	10 Pcs.	NEW
12528PK	8-1.25 x 60mm	12mm	17.50mm	Bright Zinc	10 Pcs.	NEW
12641PK	8-1.25 x 65mm	12mm	17.50mm	Bright Zinc	10 Pcs.	NEW
12642PK	8-1.25 x 70mm	12mm	17.50mm	Bright Zinc	10 Pcs.	NEW
3217PK	10-1.25 x 16mm	14mm	21.00mm	Bright Zinc	10 Pcs.	
3218PK	10-1.25 x 20mm	14mm	21.00mm	Bright Zinc	10 Pcs.	
3219PK	10-1.25 x 25mm	14mm	21.00mm	Bright Zinc	10 Pcs.	
3220PK	10-1.25 x 30mm	14mm	21.00mm	Bright Zinc	10 Pcs.	
3221PK	10-1.25 x 35mm	14mm	21.00mm	Bright Zinc	10 Pcs.	
3222PK	10-1.25 x 40mm	14mm	21.00mm	Bright Zinc	10 Pcs.	
12411PK	10-1.25 x 45mm	14mm	21.00mm	Bright Zinc	10 Pcs.	NEW
12529PK	10-1.25 x 50mm	14mm	21.00mm	Bright Zinc	10 Pcs.	NEW
12530PK	10-1.25 x 55mm	14mm	21.00mm	Bright Zinc	10 Pcs.	NEW
12531PK	10-1.25 x 60mm	14mm	21.00mm	Bright Zinc	10 Pcs.	NEW
12643PK	10-1.25 x 65mm	14mm	21.00mm	Bright Zinc	10 Pcs.	NEW
12644PK	10-1.25 x 70mm	14mm	21.00mm	Bright Zinc	10 Pcs.	NEW

# Fasteners Metric

## Cap Screws, Class 8.8, Hex Head, Bright Zinc



116,000 P.S.I.  
Maximum Tensile Strength



Half Threaded

Part #	Size	Hex Size	Din	Qty.
869PK	4-.70 x 16mm	7mm	933	50 Pcs.
870PK	4-.70 x 20mm	7mm	933	50 Pcs.
871PK	5-.80 x 10mm	8mm	933	50 Pcs.
15558PK	5-.80 x 12mm	8mm	933	50 Pcs. <b>NEW</b>
872PK	5-.80 x 16mm	8mm	933	50 Pcs.
873PK	5-.80 x 20mm	8mm	933	50 Pcs.
874PK	5-.80 x 25mm	8mm	933	50 Pcs.
875PK	5-.80 x 30mm	8mm	933	25 Pcs.
15560PK	5-.80 x 40mm	8mm	931	25 Pcs. <b>NEW</b>
15561PK	5-.80 x 45mm	8mm	931	25 Pcs. <b>NEW</b>
15565PK	6-1.00 x 8mm	10mm	933	50 Pcs. <b>NEW</b>
876PK	6-1.00 x 10mm	10mm	933	50 Pcs.
15566PK	6-1.00 x 12mm	10mm	933	25 Pcs. <b>NEW</b>
9765PK	6-1.00 x 16mm	10mm	933	25 Pcs.
877PK	6-1.00 x 20mm	10mm	933	25 Pcs.
878PK	6-1.00 x 25mm	10mm	933	25 Pcs.
879PK	6-1.00 x 30mm	10mm	933	25 Pcs.
880PK	6-1.00 x 35mm	10mm	931	25 Pcs.
881PK	6-1.00 x 40mm	10mm	931	25 Pcs.
9766PK	6-1.00 x 50mm	10mm	931	25 Pcs.
884PK	8-1.25 x 12mm	13mm	933	25 Pcs.
885PK	8-1.25 x 16mm	13mm	933	25 Pcs.
886PK	8-1.25 x 20mm	13mm	933	25 Pcs.
887PK	8-1.25 x 25mm	13mm	933	25 Pcs.
888PK	8-1.25 x 30mm	13mm	933	25 Pcs.
15588PK	8-1.25 x 35mm	13mm	933	25 Pcs. <b>NEW</b>
889PK	8-1.25 x 40mm	13mm	931	25 Pcs.
9821PK	8-1.25 x 45mm	13mm	931	25 Pcs. <b>NEW</b>
890PK	8-1.25 x 50mm	13mm	931	25 Pcs.
891PK	8-1.25 x 60mm	13mm	931	25 Pcs.
892PK	8-1.25 x 70mm	13mm	931	10 Pcs.
893PK	10-1.50 x 20mm	17mm	933	25 Pcs.
894PK	10-1.50 x 25mm	17mm	933	25 Pcs.
895PK	10-1.50 x 30mm	17mm	933	25 Pcs.
896PK	10-1.50 x 35mm	17mm	933	15 Pcs.
897PK	10-1.50 x 40mm	17mm	931	15 Pcs.
898PK	10-1.50 x 45mm	17mm	931	15 Pcs. <b>NEW</b>
899PK	10-1.50 x 50mm	17mm	931	15 Pcs.
900PK	10-1.50 x 60mm	17mm	931	10 Pcs.
902PK	10-1.50 x 70mm	17mm	931	10 Pcs. <b>NEW</b>

# Fasteners Metric

## Cap Screws, Class 8.8, Hex Head, Bright Zinc



Full Threaded

116,000 P.S.I.  
Maximum Tensile Strength



Half Threaded

Part #	Size	Hex Size	Din	Qty.	
15610PK	12-1.75 x 20mm	19mm	933	10 Pcs.	<b>NEW</b>
903PK	12-1.75 x 25mm	19mm	933	10 Pcs.	
904PK	12-1.75 x 30mm	19mm	933	10 Pcs.	
1797PK	12-1.75 x 35mm	19mm	933	10 Pcs.	<b>NEW</b>
905PK	12-1.75 x 40mm	19mm	933	10 Pcs.	
15611PK	12-1.75 x 45mm	19mm	933	10 Pcs.	<b>NEW</b>
906PK	12-1.75 x 50mm	19mm	931	10 Pcs.	
907PK	12-1.75 x 60mm	19mm	931	10 Pcs.	
15624PK	14-2.00 x 25mm	21mm	933	10 Pcs.	<b>NEW</b>
15625PK	14-2.00 x 30mm	21mm	933	10 Pcs.	<b>NEW</b>
15627PK	14-2.00 x 40mm	21mm	933	10 Pcs.	<b>NEW</b>
15629PK	14-2.00 x 50mm	21mm	933	10 Pcs.	<b>NEW</b>
15630PK	14-2.00 x 55mm	21mm	933	10 Pcs.	<b>NEW</b>
15631PK	14-2.00 x 60mm	21mm	933	10 Pcs.	<b>NEW</b>

## Washers, Flat, Din # 125, Bright Zinc Finish



Part #	Size	Inside Diameter	Outside Diameter	Finish	Qty.
1651PK	4mm	4.30mm	9mm	Bright Zinc	50 Pcs.
1652PK	5mm	5.30mm	11mm	Bright Zinc	50 Pcs.
1654PK	6mm	6.40mm	12mm	Bright Zinc	100 Pcs.
1655PK	8mm	8.40mm	17mm	Bright Zinc	100 Pcs.
1656PK	10mm	10.50mm	21mm	Bright Zinc	100 Pcs.
1657PK	12mm	13mm	24mm	Bright Zinc	25 Pcs.
11998PK	14mm	15mm	28mm	Bright Zinc	25 Pcs.

## Washers, Flat, Stainless Steel



Part #	Size	Inside Diameter	Outside Diameter	Qty.
12535PK	5mm	5.35mm	9.85mm	100 Pcs.
12536PK	6mm	6.55mm	11.85mm	100 Pcs.
12537PK	8mm	8.50mm	15.80mm	100 Pcs.
12538PK	10mm	10.70mm	19.55mm	100 Pcs.
12539PK	12mm	13.10mm	23.95mm	50 Pcs.

## Washers, Flat, Steel



Part #	Inside Diameter	Outside Diameter	Thickness	Qty.
12281PK	3.70mm	8mm	.80mm	100 Pcs.

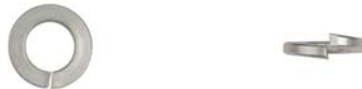
# Fasteners Metric

## Washers, Fender, Zinc Finish



Part #	Size	Inside Diameter	Outside Diameter	Thickness	Qty.
12259PK	5mm	5.30mm	15.00mm	1.20mm	100 Pcs.
12260PK	6mm	6.40mm	18.00mm	1.60mm	100 Pcs.
12261PK	8mm	8.40mm	24.00mm	2.00mm	100 Pcs.
12262PK	10mm	10.50mm	30.00mm	2.50mm	50 Pcs.

## Washers, Lock, Din # 127, Bright Zinc Finish



Part #	Size	Inside Diameter	Outside Diameter	Finish	Qty.
1658PK	4mm	4.10mm	7.40mm	Bright Zinc	50 Pcs.
1659PK	5mm	5.10mm	9.00mm	Bright Zinc	50 Pcs.
1661PK	6mm	6.10mm	11.50mm	Bright Zinc	100 Pcs.
1662PK	8mm	8.20mm	14.40mm	Bright Zinc	100 Pcs.
1663PK	10mm	10.20mm	17.50mm	Bright Zinc	50 Pcs.
1664PK	12mm	12.20mm	20.30mm	Bright Zinc	25 Pcs.
1665PK	14mm	14.20mm	23.40mm	Bright Zinc	50 Pcs.

## Nuts, Hex, Class 10, Spin Lock Type, Serrated, Bright Zinc Finish



Part #	Size	Hex Size	Flange Size	Finish	Qty.
3200PK	6-1.00mm	10mm	14.00mm	Bright Zinc	50 Pcs.
3201PK	8-1.25mm	12mm	17.00mm	Bright Zinc	50 Pcs.
3202PK	10-1.25mm	14mm	19.00mm	Bright Zinc	25 Pcs.

## Nuts, Hex, Class 8, Spin Lock Type, Serrated, Bright Zinc Finish



Part #	Size	Hex Size	Flange Size	Finish	Qty.
12276PK	5-.80mm	8mm	11.00mm	Bright Zinc	50 Pcs.
12280PK	12-1.25mm	17mm	24.00mm	Bright Zinc	10 Pcs.

# Fasteners Metric

## Nuts, Hex, Class 8, Din # 934, Bright Zinc Finish



Part #	Size	Hex Size	Finish	Qty.
861PK	4-.70mm	7mm	Bright Zinc	50 Pcs.
862PK	5-.80mm	8mm	Bright Zinc	50 Pcs.
863PK	6-1.00mm	10mm	Bright Zinc	100 Pcs.
865PK	8-1.25mm	13mm	Bright Zinc	100 Pcs.
866PK	10-1.50mm	17mm	Bright Zinc	50 Pcs.
12255PK	12-1.50mm	19mm	Bright Zinc	25 Pcs.
867PK	12-1.75mm	19mm	Bright Zinc	25 Pcs.
868PK	14-2.00mm	22mm	Bright Zinc	25 Pcs.

## Nuts, Hex, Din # 985, Lock, Nylon, Bright Zinc Finish



Part #	Size	Hex Size	Finish	Qty.
12246PK	5-0.80mm	8mm	Bright Zinc	100 Pcs.
12247PK	6-1.00mm	10mm	Bright Zinc	100 Pcs.
12248PK	8-1.25mm	13mm	Bright Zinc	100 Pcs.
12249PK	10-1.50mm	17mm	Bright Zinc	100 Pcs.
12250PK	12-1.75mm	19mm	Bright Zinc	100 Pcs.