

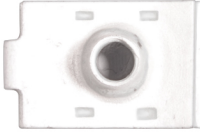

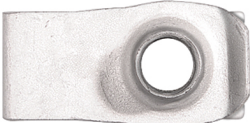




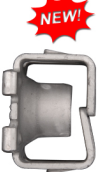
COOL NEW PRODUCTS

G.M. Clips & Fasteners





Nuts Extruded "U"

16078PK	4.2-1.41 Screw Size 2-3mm Panel Range 9.50mm Center of Hole to Edge Zinc Organic Extruded "U" Nuts G.M. # 11548579	25 Pcs.		
16081PK	6-1.00 Screw Size .70-2mm Panel Range 14mm Center of Hole to Edge Zinc Organic Extruded "U" Nuts G.M. # 11611321	10 Pcs.		
16080PK	8-1.25 Screw Size .80-4mm Panel Range 21mm Center of Hole to Edge Zinc Organic Extruded "U" Nuts Ford # W520813-S439 G.M. # 11516150	15 Pcs.		

Nuts Specialty

15902PK	6-1.00mm Screw Size 12mm O.A. Height Organic Zinc Finish Front Fender Panel Nuts G.M. # 11610544	10 Pcs.		
----------------	--	----------------	--	--

Rivets Automotive

15170PK	5/32" (4mm) Rivet Diameter 7/16" Flange Diameter 3/64" - 3/8" Grip Range Alum Rivet S/Steel Mandrel Front & Rear Bumper Rivets G.M. # 9132667	25 Pcs.		
10962PK	3/16" (4.70mm) Rivet Diameter 5/8" Flange Diameter 1/4" - 3/8" Grip Range Black Finish All Steel Fascia To Bumper Rivets G.M. # 9439719	50 Pcs.		

Disco Automotive Hardware

Ph: 580-622-3090

Fax: 580-622-3781

discosales@discoautomotive.com

CNP59

06/09/21