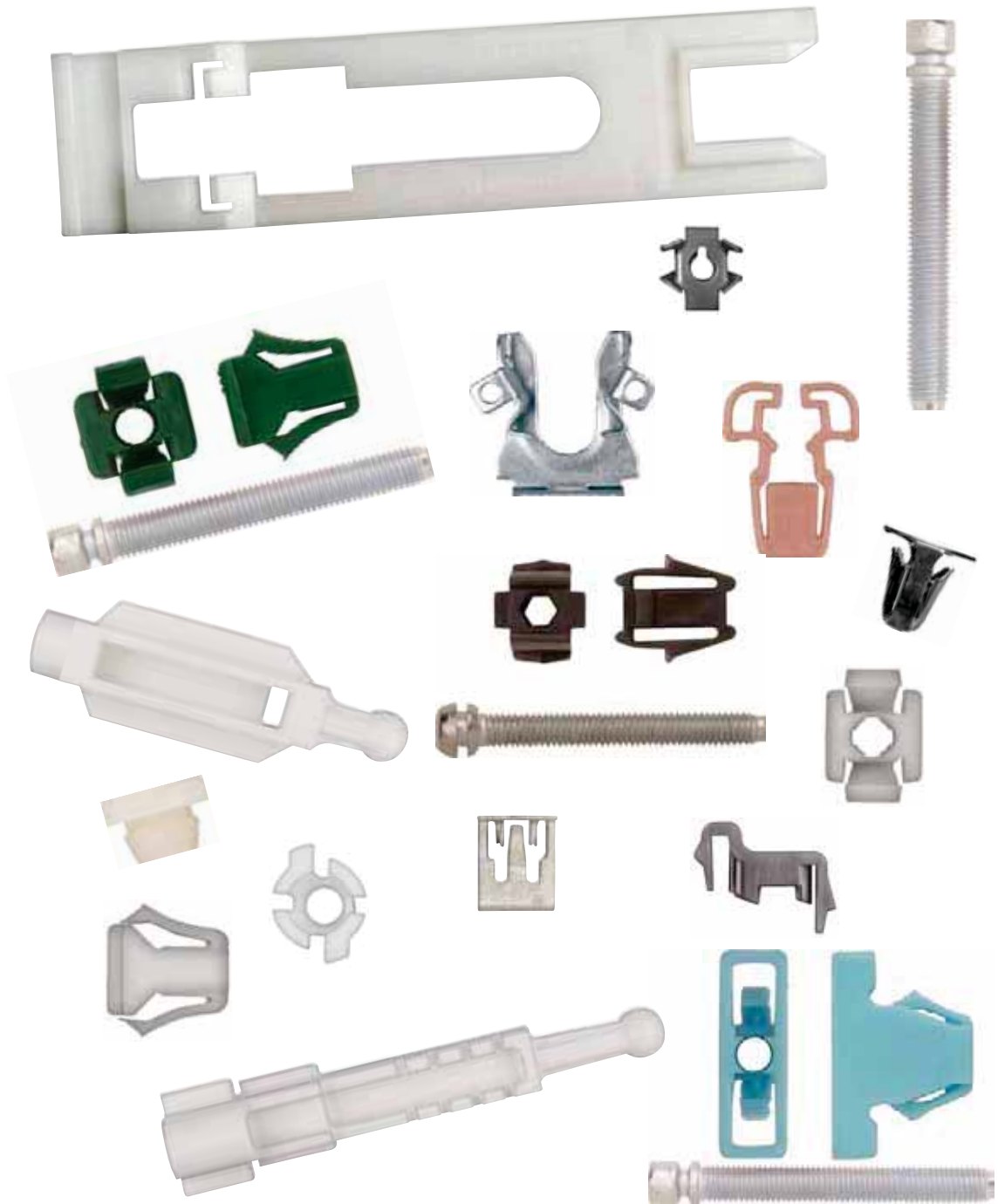



# Headlight & Grill Retainers




# Headlight Retainers

## Assembly Headlight Screw & Nut

**681PK** 12-28 x 1 1/2" Screw Size 10 Pcs.  
 Gray Nylon  
 Headlight Adjusting  
 Screw & Nut Assembly  
 Chrysler # 3574085



**1003PK** 12-28 x 1 1/2" Screw Size 25 Pcs.  
 Blue Nylon  
 Headlight Adjusting  
 Screw & Nut Assembly  
 G.M. # 556196, 557057, 559312




**1019PK** 1/4-28 x 2" Screw Size 25 Pcs.  
 Green Nylon  
 Headlight Adjusting  
 Screw & Nut Assembly  
 G.M. # 365270, 365266



**853PK** 1/4-28 x 2" Screw Size 25 Pcs.  
 Pink Nylon  
 Headlight Adjusting  
 Screw & Nut Assembly  
 AMC # SF4006204  
 G.M. # 1606642, 1618890, 1600375




**972PK** 1/4-28 x 2" Screw Size 10 Pcs.  
 White Nylon  
 Headlight Adjusting  
 Screw & Nut Assembly  
 G.M. # 343543, 343555,  
 354076, 362379, 3921446  
 15705372, 343541, 343542




## Nuts Headlight

**656PK** 1/4-28 Screw Size 50 Pcs.  
 Natural Nylon  
 Headlight Adjusting Nuts  
 G.M. # 3921446






**9351PK** 1/4-28 Screw Size 50 Pcs.  
 White Nylon  
 Headlight Adjusting Nuts  
 Use With Screw # 996  
 G.M. # 343541, 343542, 343543, 343555,  
 354076, 362379



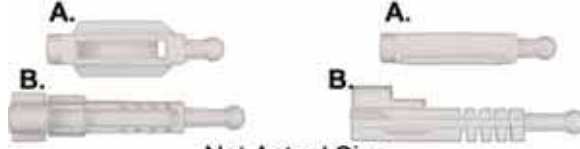

# Headlight Retainers

## Nuts Headlight




<b>996PK</b>	1/4-28 x 2" Screw Size Bright Zinc Finish Headlight Adjusting Screws Use With Nut # 9351 & 656 G.M. # 343543, 354076, 9438150, 9432645	<b>25 Pcs.</b>	
<b>11143PK</b>	#8 (4.20mm) Screw Size 8mm Stem Length 17mm Head Diameter 9mm Hole Size Natural Nylon Headlight Mounting Nuts Toyota # 90189-05142	<b>25 Pcs.</b>	
<b>15137PK</b>	25/64" (10mm) Hole Size 15mm Stem Length 14.00 x 18.50mm Head Size White Nylon Headlight Adjusting Nuts V.W. # 191-941-142	<b>25 Pcs.</b>	

16

## Adjusters Headlight

<b>12662PK</b>	Headlight Adjuster Elements Left & Right Front 2 Piece Set Part A. 59mm Length 19mm Width Part B. 78mm Length 16mm Width Natural Nylon BMW 5 Series 2000-2003	<b>1 Set</b>	
<b>12663PK</b>	Headlight Adjuster Elements 2 Piece Set Part A. 55mm Length, 21mm Width & 26mm Thick Part B. 79mm Length, 22mm Width & 11mm Thick Natural Nylon BMW 5 Series 2000-2003	<b>1 Set</b>	

## Retainers Headlight

<b>11876PK</b>	12mm Width 15mm Height Organic Zinc Finish Windshield & Side Door Garnish Moulding Liftgate Trim Panel Retainers Chrysler # 6502988 G.M. # 16662182, 25580123	<b>15 Pcs.</b>	
<b>1107PK</b>	#8 (4.20mm) Screw Size Headlight Panel Retainers G.M. # 25501771	<b>50 Pcs.</b>	
<b>1864PK</b>	Zinc Finish Headlight Component Retaining Clips Ford # E9DB-13N020AA, E9DZ-13N129A, F2AB-13N020-AA	<b>25 Pcs.</b>	

# Headlight Retainers

## Retainers Headlight

**16366PK**

7mm Width  
20mm Length  
17mm Overall Height  
Black Nylon  
Head Lamp Moulding Retainers  
Honda # 33152-TLA-A01

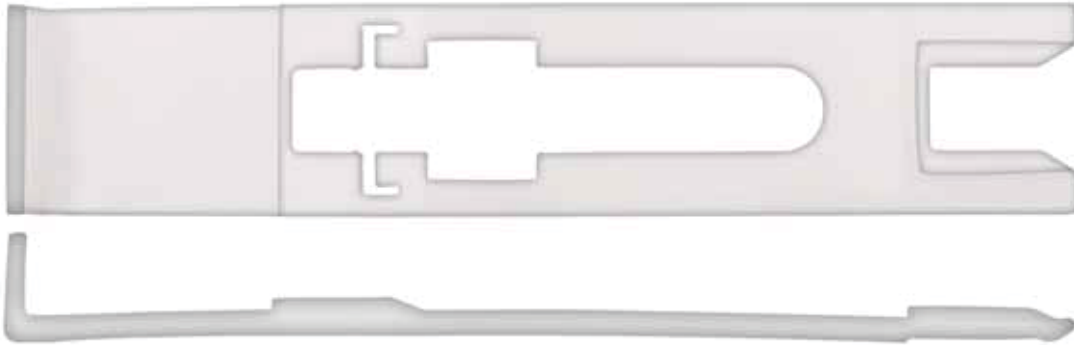
**25 Pcs.**



**10106PK**

1 1/8" Width  
4 9/16" Length  
Natural Nylon  
Headlight Retainers  
G.M. # 10298115

**10 Pcs.**



**13036PK**

1 1/8" Width  
5 9/16" Length  
White Nylon  
Headlight Retainers  
G.M. # 15281294

**10 Pcs.**

