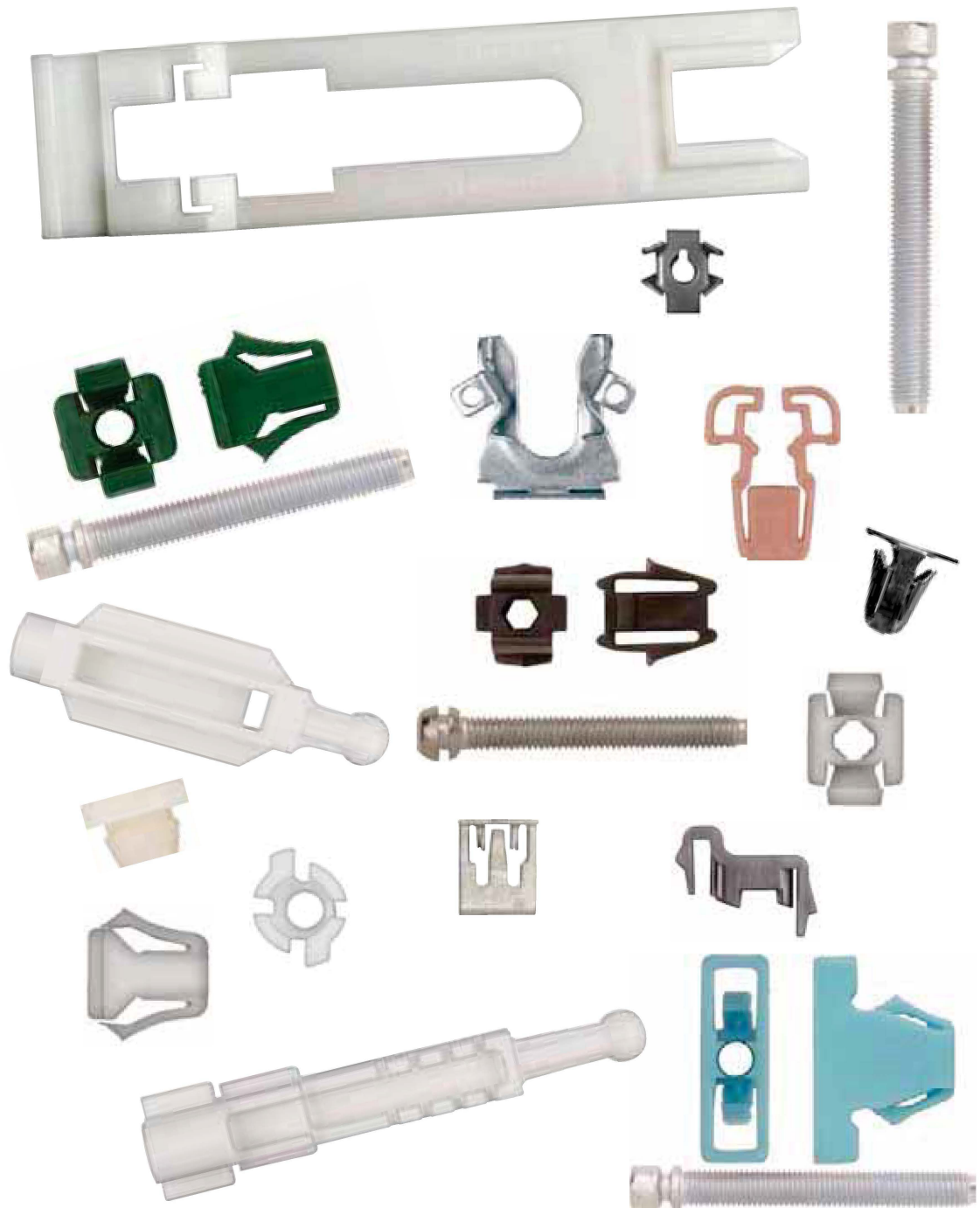



Headlight & Grill Retainers




Headlight Retainers

Assembly Headlight Screw & Nut


681PK 12-28 x 1 1/2" Screw Size 10 Pcs.
 Gray Nylon
 Headlight Adjusting
 Screw & Nut Assembly
 Chrysler # 3574085



1003PK 12-28 x 1 1/2" Screw Size 25 Pcs.
 Blue Nylon
 Headlight Adjusting
 Screw & Nut Assembly
 G.M. # 556196, 557057, 559312




1019PK 1/4-28 x 2" Screw Size 25 Pcs.
 Green Nylon
 Headlight Adjusting
 Screw & Nut Assembly
 G.M. # 365270, 365266



853PK 1/4-28 x 2" Screw Size 25 Pcs.
 Pink Nylon
 Headlight Adjusting
 Screw & Nut Assembly
 AMC # SF4006204
 G.M. # 1606642, 1618890, 1600375




972PK 1/4-28 x 2" Screw Size 10 Pcs.
 White Nylon
 Headlight Adjusting
 Screw & Nut Assembly
 G.M. # 343543, 343555,
 354076, 362379, 3921446
 15705372, 343541, 343542




Nuts Headlight

656PK 1/4-28 Screw Size 50 Pcs.
 Natural Nylon
 Headlight Adjusting Nuts
 G.M. # 3921446






9351PK 1/4-28 Screw Size 50 Pcs.
 White Nylon
 Headlight Adjusting Nuts
 Use With Screw # 996
 G.M. # 343541, 343542, 343543, 343555,
 354076, 362379



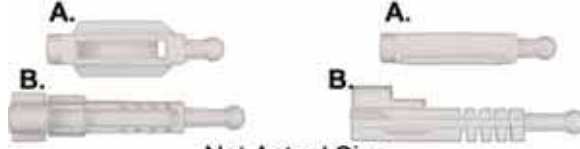

Headlight Retainers

Nuts Headlight




996PK	1/4-28 x 2" Screw Size Bright Zinc Finish Headlight Adjusting Screws Use With Nut # 9351 & 656 G.M. # 343543, 354076, 9438150, 9432645	25 Pcs.	
11143PK	#8 (4.20mm) Screw Size 8mm Stem Length 17mm Head Diameter 9mm Hole Size Natural Nylon Headlight Mounting Nuts Toyota # 90189-05142	25 Pcs.	
15137PK	25/64" (10mm) Hole Size 15mm Stem Length 14.00 x 18.50mm Head Size White Nylon Headlight Adjusting Nuts V.W. # 191-941-142	25 Pcs.	

16

Adjusters Headlight

12662PK	Headlight Adjuster Elements Left & Right Front 2 Piece Set Part A. 59mm Length 19mm Width Part B. 78mm Length 16mm Width Natural Nylon BMW 5 Series 2000-2003	1 Set	
12663PK	Headlight Adjuster Elements 2 Piece Set Part A. 55mm Length, 21mm Width & 26mm Thick Part B. 79mm Length, 22mm Width & 11mm Thick Natural Nylon BMW 5 Series 2000-2003	1 Set	

Retainers Headlight

11876PK	12mm Width 15mm Height Organic Zinc Finish Windshield & Side Door Garnish Moulding Liftgate Trim Panel Retainers Chrysler # 6502988 G.M. # 16662182, 25580123	15 Pcs.	
1107PK	#8 (4.20mm) Screw Size Headlight Panel Retainers G.M. # 25501771	50 Pcs.	
1864PK	Zinc Finish Headlight Component Retaining Clips Ford # E9DB-13N020AA, E9DZ-13N129A, F2AB-13N020-AA	25 Pcs.	

Headlight Retainers

Retainers Headlight

16366PK

7mm Width
20mm Length
17mm Overall Height
Black Nylon
Head Lamp Moulding Retainers
Honda # 33152-TLA-A01

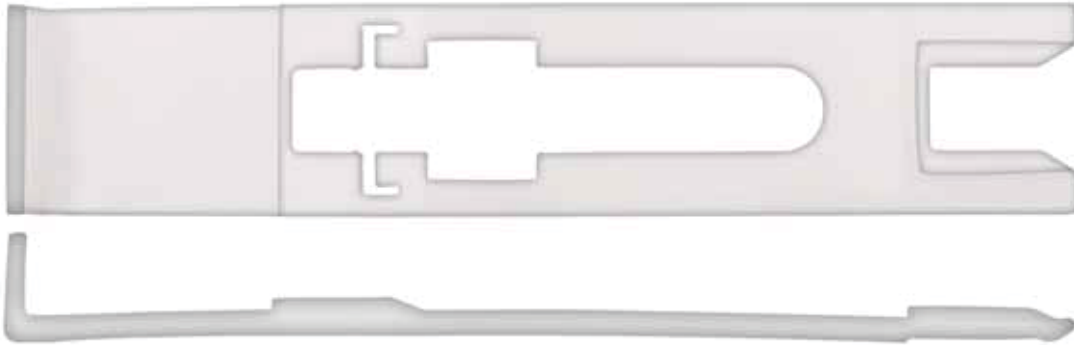
25 Pcs.



10106PK

1 1/8" Width
4 9/16" Length
Natural Nylon
Headlight Retainers
G.M. # 10298115

10 Pcs.



13036PK

1 1/8" Width
5 9/16" Length
White Nylon
Headlight Retainers
G.M. # 15281294

10 Pcs.